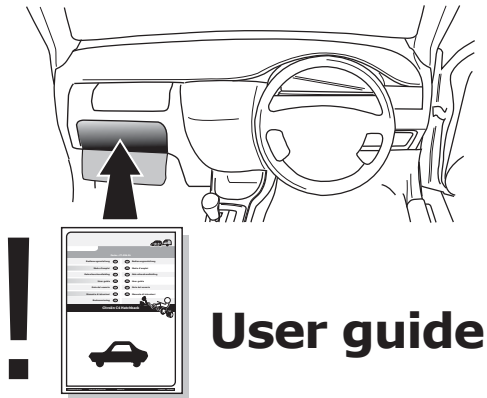
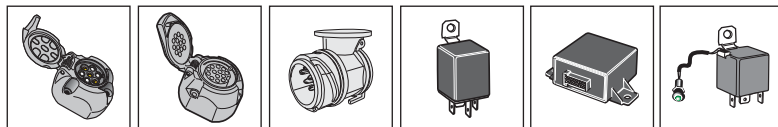


! INFO !

Do not charge the battery of the towing vehicle and/or towed vehicle directly via the socket.



User guide



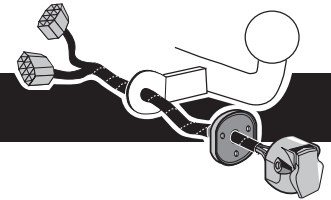
SPARE PARTS

www.ecs-electronicsuk.co.uk

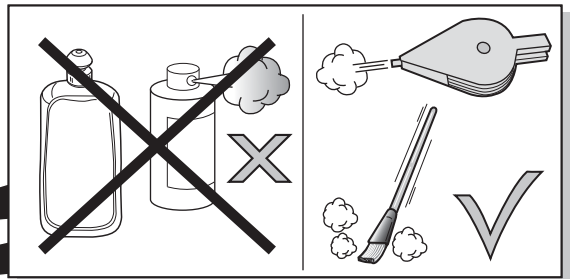
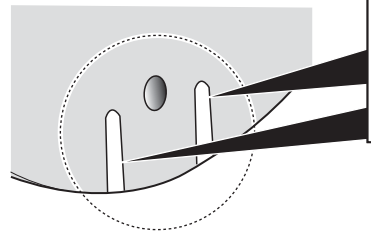
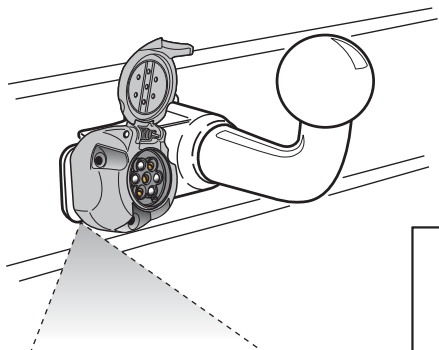
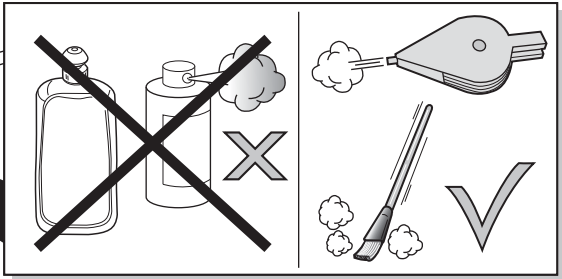
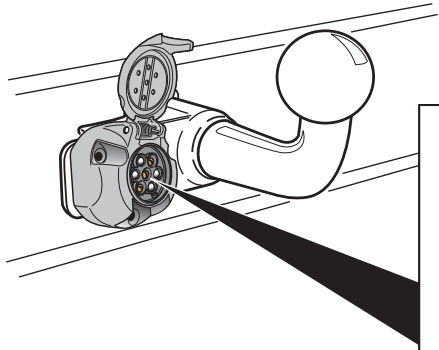
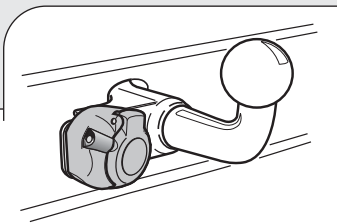


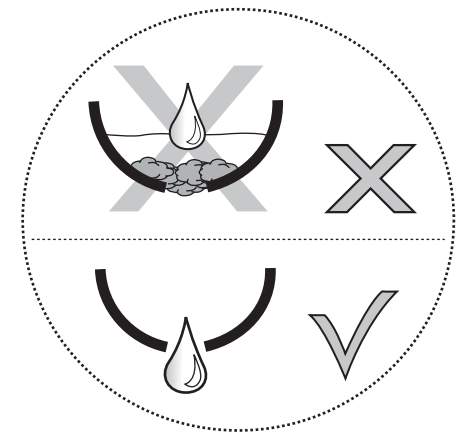
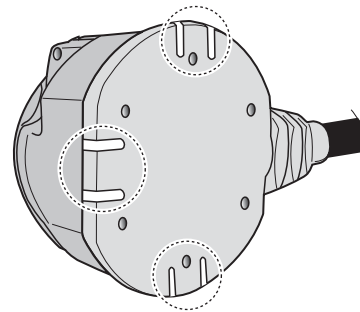
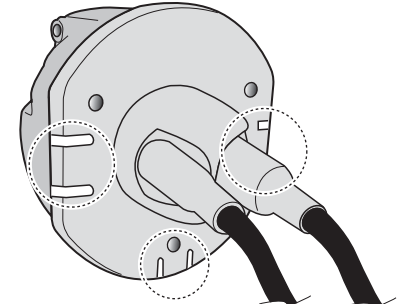
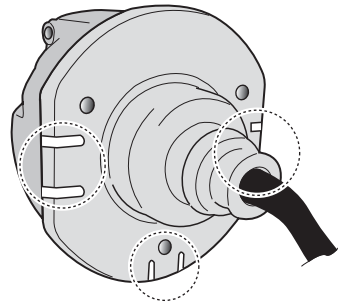
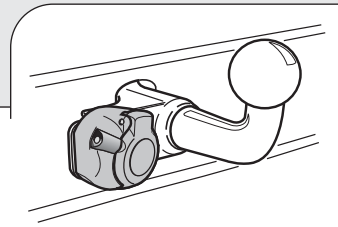
Partnr.: CT-050-B1U

User Guide



Citroën	C2		11/2005 >>
Citroën	C3		11/2005 >>
Citroën	C3	<i>Pluriel</i>	11/2005 >>
Citroën	C3	<i>Picasso</i>	2009 >>
Citroën	C3	<i>III (A51)</i>	2010 >>
Citroën	DS3		12/2009 >> 06/2018
Citroën	DS3	<i>Cabriolet</i>	03/2013 >> 06/2018
Citroën	C4	<i>Picasso</i>	03/2011 >> DAM 12531
Citroën	C4	<i>Grand Picasso</i>	03/2011 >> DAM 12531
Peugeot	207		2006 >>
Peugeot	207	<i>CC</i>	2007 >>
Peugeot	207	<i>SW</i>	2007 >>
Peugeot	308	<i>SW</i>	11/2008 >>
Peugeot	308		11/2008 >>
Peugeot	308	<i>CC</i>	2009 >>
Peugeot	3008		12/2009 >>
Peugeot	5008		10/2010 >>
Citroën	Berlingo		11/2011 >> 05/2015
Peugeot	Partner		11/2011 >> 05/2015





SOCKET CONNECTION

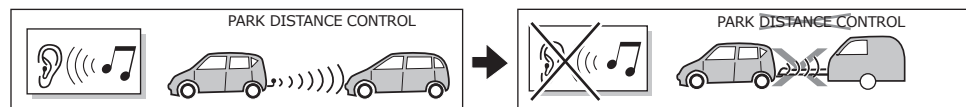
DIN/ISO 1724							
	1/L	2	3/31	4/R	5/58-R	6/54	7/58-L
Pmax	21W	21W		21W	42W	3x21W	42W
Colour	Yellow	Blue	White	Green	Brown	Red	Black



In a coupled trailer with working fog lamp, the fog lamp of the vehicle will be switched off, if applicable.



The flashing lights on the trailer are monitored. If one of the indicators of the trailer breaks down, a buzzer will be audible and/or a visual signal will be visible on the dashboard. Check the flashing lights on the trailer.



The wiring kit has a possibility to switch off any Park Distance Control in the case of a coupled trailer.

CHANGING THE FUSE

